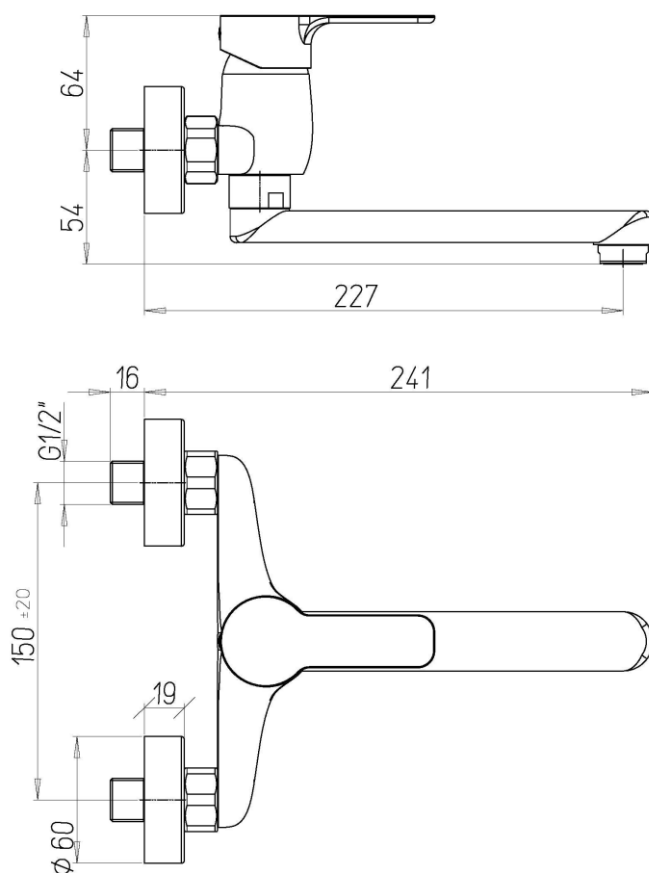


### R1023CR

#### FEATURES

Spout	swivel
Spout length	227 mm
Aerator flow rate	6 l/m
Cartridge	ceramic
Cartridge dimension	35 mm
Connection	eccentric fittings G 1/2"



#### SPARE PARTS

##### VR312CR



Complete aerator 8L/min, M24x1 male thread

##### VR306CR



Complete aerator 6L/min, M24x1 male thread

##### VR301CR



Complete aerator 4L/min, M24x1 male thread

##### VR10699



Mixing cartridge - D35 mm. - H 59 mm. - square 9x9 mm.

Jupdated: 19/09/2023