

Cod. D522801

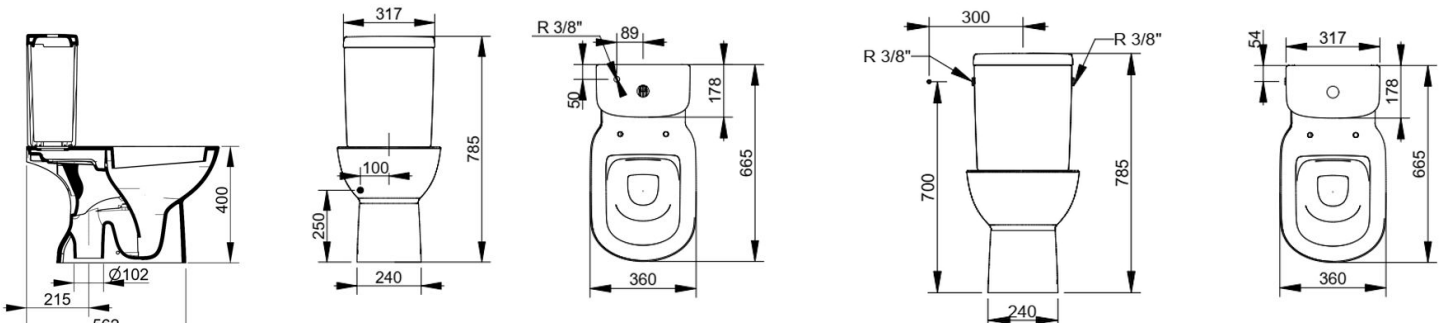
White

DOP-No 997

Vertical outlet close coupled, for assembly with CC cistern 4,5 L. Necessary equipment: cistern, mechanism, seat and cover, outlet bend in case of vertical installation. Fixation set included.

IMMAGINE
NON DISPONIBILE

Width (mm)	365
Depth (mm)	665
Height (mm)	400
Weight (Kg)	23,7
Flush Volume (l)	4,5
Installation	floor standing
Outlet	vertical outlet



SEAT and COVER (NOT INCLUDE)



S523201

Normal closing seat and cover.



S523301

Soft closing seat and cover.

PROVIDED FIXINGS / ACCESSORIES



F954199

Fixation set for floor standing wc and pedestal

NOT PROVIDED FIXINGS / ACCESSORIES / SPARE PARTS

(* Mandatory)



D523001 *

Close coupled cistern, bottom inlet. To be completed with mechanism (including



D522901 *

Close coupled cistern, side inlet. To be completed with mechanism (including fixation set).



V9042CR *

Double flush cistern mechanism with side inlet and chrome plated button.



V9043CR *

Double flush cistern mechanism with bottom inlet and chrome plated button.



V9060CR

Decorative caps for fixation set F954199 (2 pcs) white



V906001

Decorative caps for fixation set F954199 (2 pcs) white



VS52701

Buffers kit for Mia/Mirto/Gemma2 seat and cover



VS52101

Hinges for Gemma2 normal closing seat and cover



VS52301

Hinges for Gemma2 soft closing seat and cover