

Cod. D522201

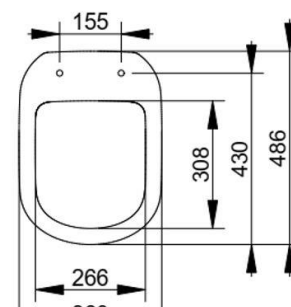
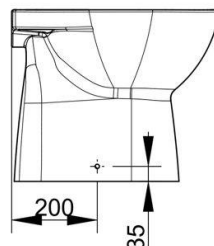
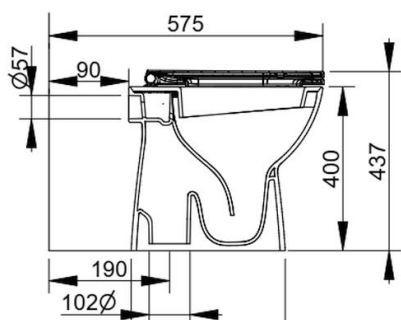
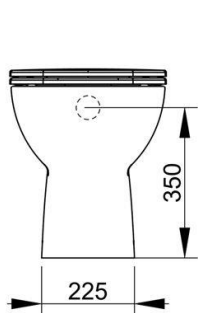
White

DOP-No 997

Vertical outlet bowl, 4,5 L flush, including fixation set. To be completed with seat and cover

IMMAGINE
NON DISPONIBILE

Width (mm)	360
Depth (mm)	485
Height (mm)	400
Weight (Kg)	20,7
Flush Volume (l)	4,5
Installation	floor standing
Outlet	vertical outlet



SEAT and COVER (NOT INCLUDE)



S523201

Normal closing seat and cover.



S523301

Soft closing seat and cover.



F954199

Fixation set for floor standing wc and pedestal

NOT PROVIDED FIXINGS / ACCESSORIES / SPARE PARTS

(* Mandatory)



V9060CR

Decorative caps for fixation set F954199 (2 pcs) white



V906001

Decorative caps for fixation set F954199 (2 pcs) white



VS52701

Buffers kit for Mia/Mirto/Gemma2 seat and cover



VS52101

Hinges for Gemma2 normal closing seat and cover



VS52301

Hinges for Gemma2 soft closing seat and cover