

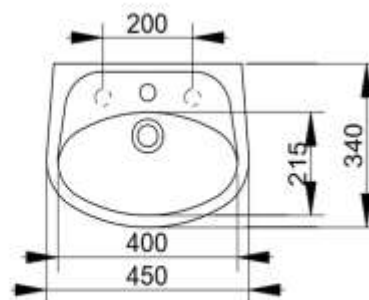
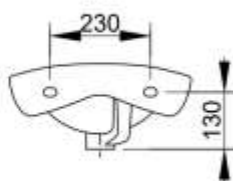
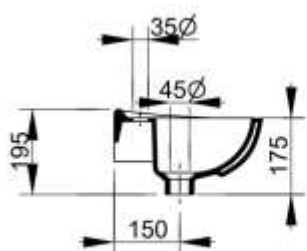
Cod. D040101

White

DOP-No 14688

Wall mounted hand basin, with taphole and overflow. To be installed with compatible fixings according to wall type.

Width mm)	450
Depth (mm)	340
Height mm)	175
Weight Kg)	8,6
Overflow hole	Si
Tap Holes	One-hole
Installation	wall mounted



NOT PROVIDED FIXINGS / ACCESSORIES / SPARE

(* Mandatory)



F303199

Fixation set for basin.

Updated: 11/01/2024